



## FISHNPACK TACKLE SYSTEM

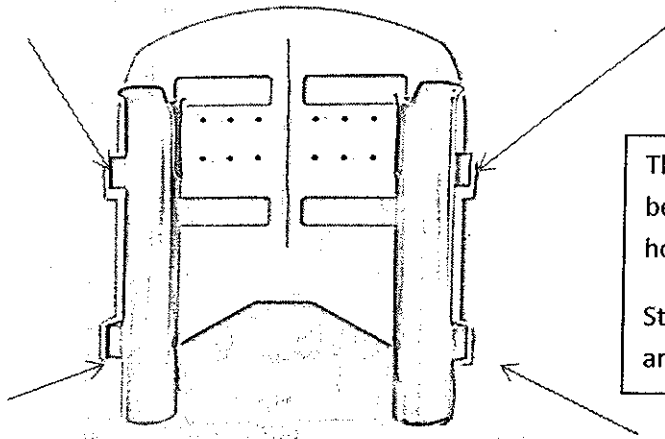
### INSTALLATION GUIDE

#### TOOLS NEEDED

<u>QTY</u>	<u>DESCRIPTION</u>
1	SMALL POINTED TOOL FOR MAKING A HOLE
1	PHILLIPS HEAD SCREW DRIVER

#### CONTENTS

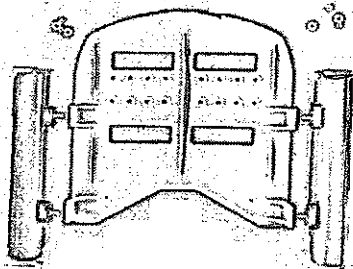
<u>QTY</u>	<u>DESCRIPTION</u>
1	BACKBONE INSERT
2	POLYPROPYLENE ROD HOLDERS
4	SCREWS (8/32"X1.14")
4	WASHERS (#10)
4	WING NUTS (8/32")
2	RING CLIPS
1	PLASTIC BAGGIE



The FishNPack Tackle System has been packed to protect the rod holders during shipping.

Step 1: remove the 4 screws (see arrows)

Figure 1:



Step 2: After screws are removed, realign the rod holders per figure 2. Screws should be inserted from inside of fishing rod holders.

Figure 2:

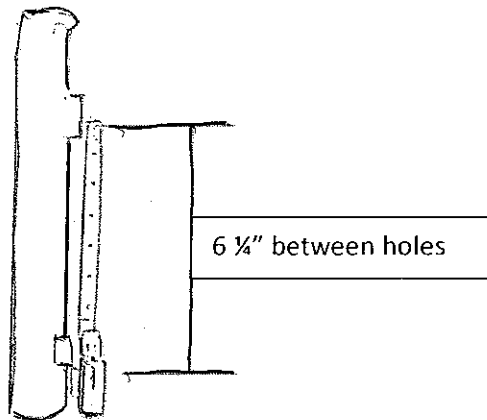


Figure 3:

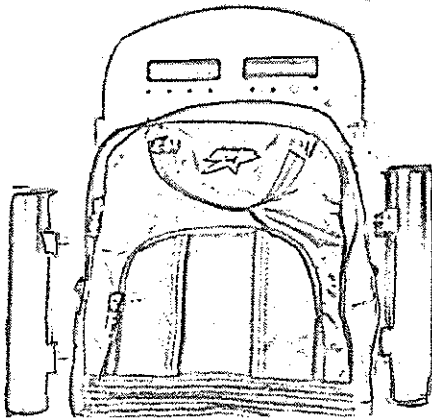


Figure 4:

Step 3: Open your backpack and slide the Backbone down until you reach the bottom of the pack. (figure 4)

Note: if your backpack has multiple sections, Use the section closest to YOUR back when you are using it. Not the middle section(s) as there is typically no support there.

Unzip the backpack and slide the Backbone down until it is fully inserted (figure 4) into the bottom of the backpack. Using the Backbone Corner bracket holes as your guide, mark 4 small holes, 6 1/4 "apart. Using a small pointed object, carefully press 4 small holes/openings in the fabric to allow the outside screw (supplied) to enter the backpack. The fabric is usually very tough so the holes might have to be worked slightly. *Although not required, FISHNPACK recommends using grommets to reinforce the holes.* Next, working from the outside in, mount the rod holder through the outer backpack wall to the inside Backbone using the supplied washer and wing nut. Tightly secure the rod holder to the corner brackets. Continue until all 4 screws are tight.

